



Renault Master 24-

Mounting instructions
 Art. 82860070, 82860071
 Eurobar

Scan the QR code
 for translated
 instructions or visit
metec.ee/instructions



Weight: 8,8 kg
 Time of mounting w/o wiring: 60 min

Required tools:

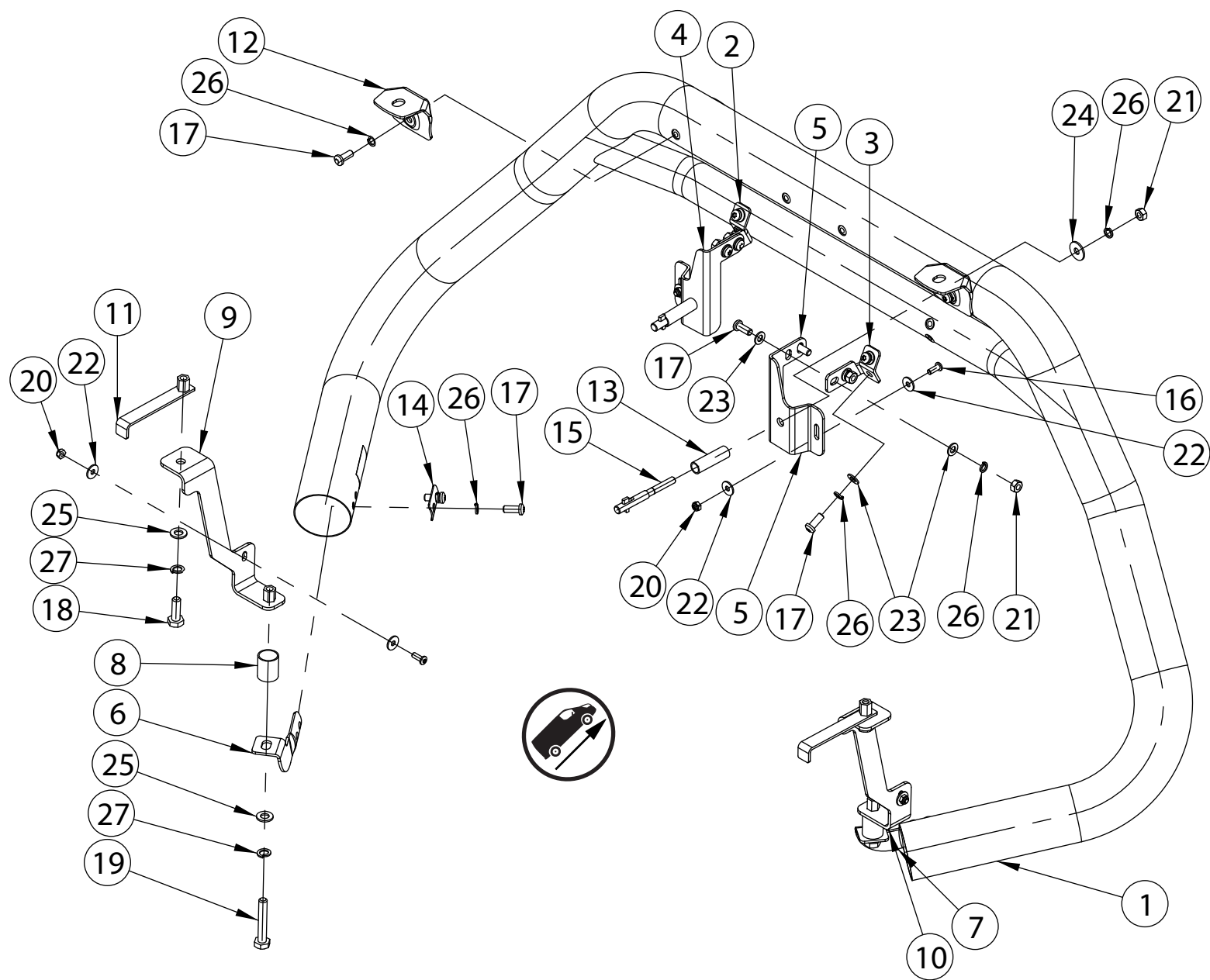


A2 / A4	
M6	- 7 Nm
M8	- 17 Nm
M10	- 33 Nm

Renault Master 24-

Art. 82860070, 82860071

Eurobar



Pos	Description	QTY	Pos	Description	QTY	Pos	Description	QTY
1.	Eurobar	1	11.	Plate nut M10	2	21.	Nut M8 DIN934-A2	6
2.	Bracket	1	12.	Lamp fixing bracket	2	22.	Flat Washer 6,4x18x1,6	8
3.	Bracket	1	13.	Bushing D15 L=50	2	23.	Flat Washer 8,4x16x1,6	12
4.	Bracket	1	14.	Square washer	2	24.	Flat Washer 8,4x24x2	2
5.	Bracket	1	15.	Blind bolt D10	2	25.	Flat Washer 10,5x20x2	4
6.	Bracket	1	16.	Bolt M6x16 DIN7380-A2	4	26.	Spring washer A8	16
7.	Bracket	1	17.	Bolt M8x20 DIN7380-A2	14	27.	Spring washer A10	4
8.	Bushing	2	18.	Bolt M10x30 DIN933-A2	2			
9.	Bracket	1	19.	Bolt M10x60 DIN933-A2	2			
10.	Bracket	1	20.	Nut M6 DIN985-A2	4			

Renault Master 24-

Art. 82860070, 82860071

Eurobar

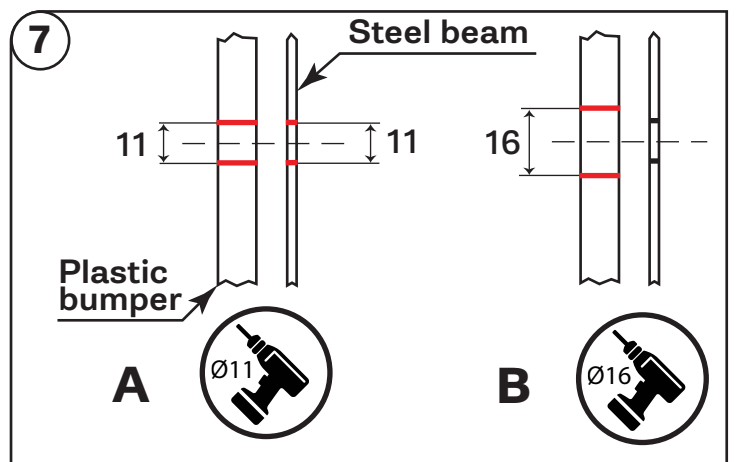
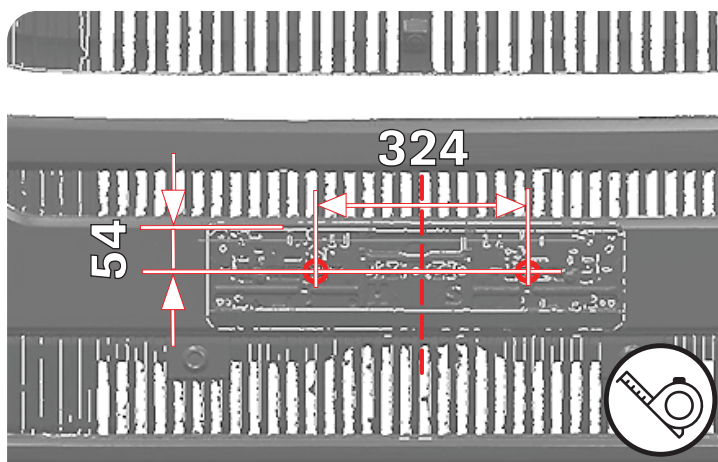
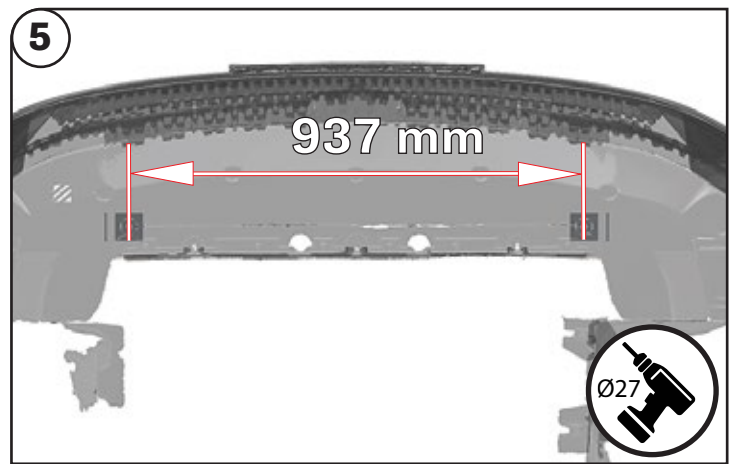
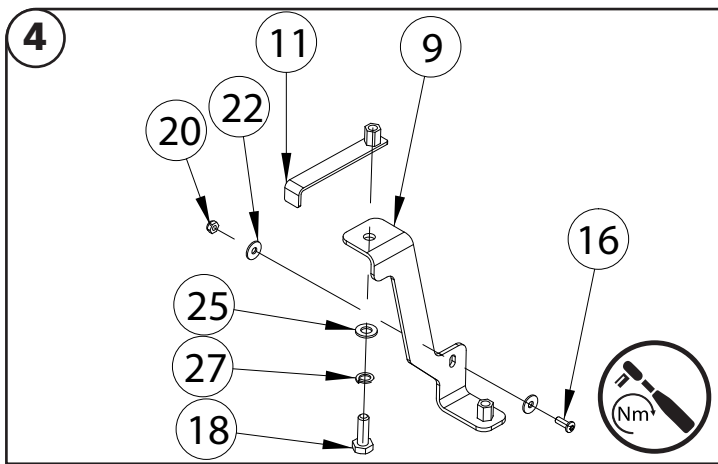
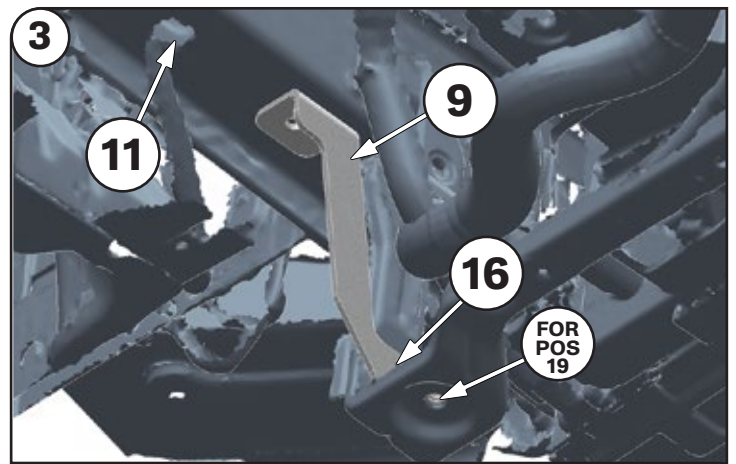
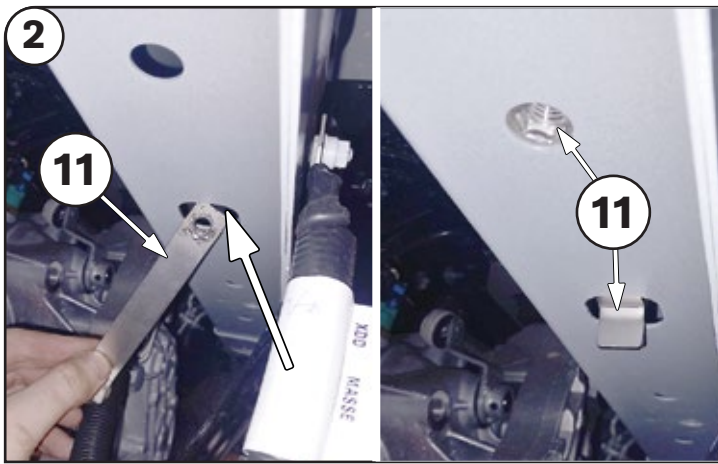
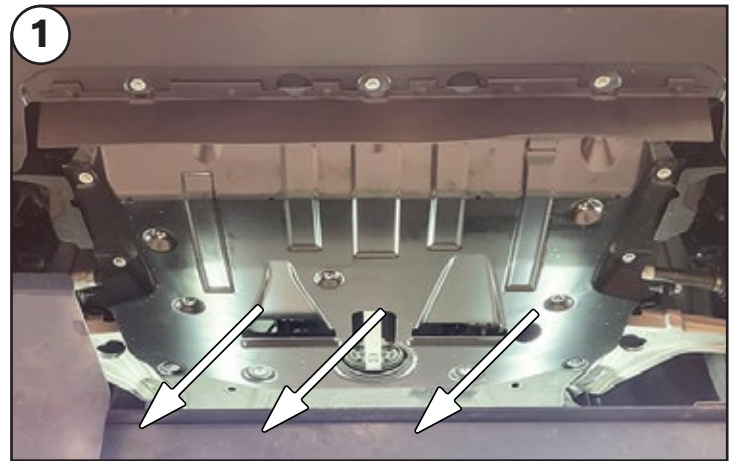
NB!



To prevent cold welding, use cold weld grease or engine oil



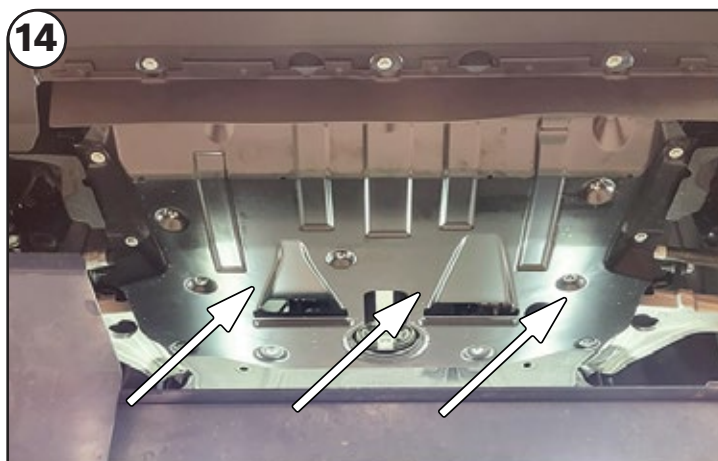
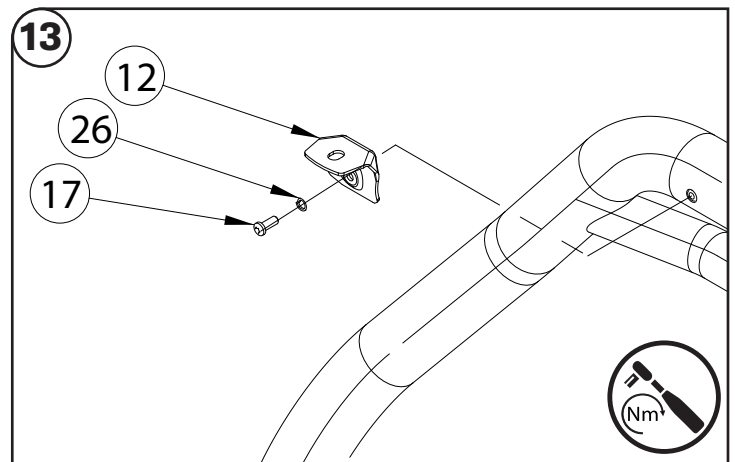
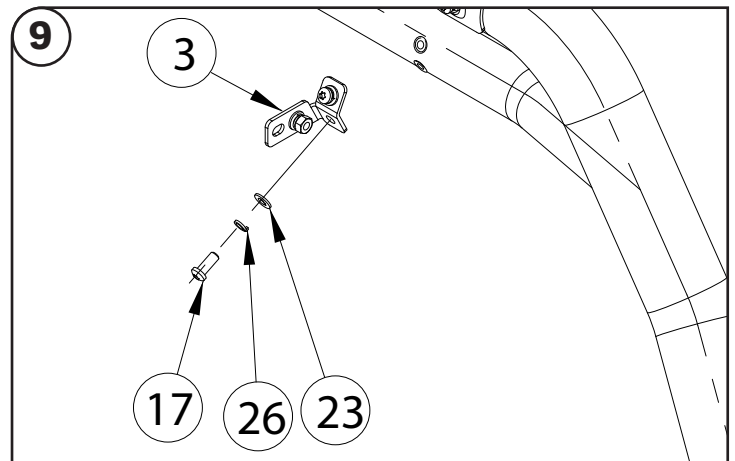
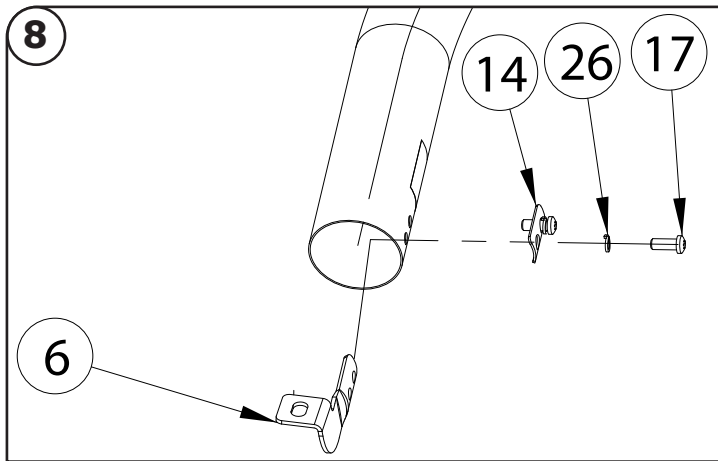
Installation of the lights must be carried out by a qualified electrician only



Renault Master 24-

Art. 82860070, 82860071

Eurobar



Check and retighten the fasteners after each 10 000km



Clean and wash the product twice a month to prevent corrosion

In case of any defects or damage to the METEC product upon delivery, contact the reseller or point of sale where you made your purchase for resolution