



Peugeot Boxer/Citroen Jumper/Fiat Ducato/ Opel Movano/Toyota Proace Max 24-

Mounting instructions
 Art. 82632270, 82632271
 Nordicbar

Scan the QR code
 for translated
 instructions or visit
metec.ee/instructions



Weight: 11,5 kg
 Time of mounting w/o wiring: 60 min

Required tools:

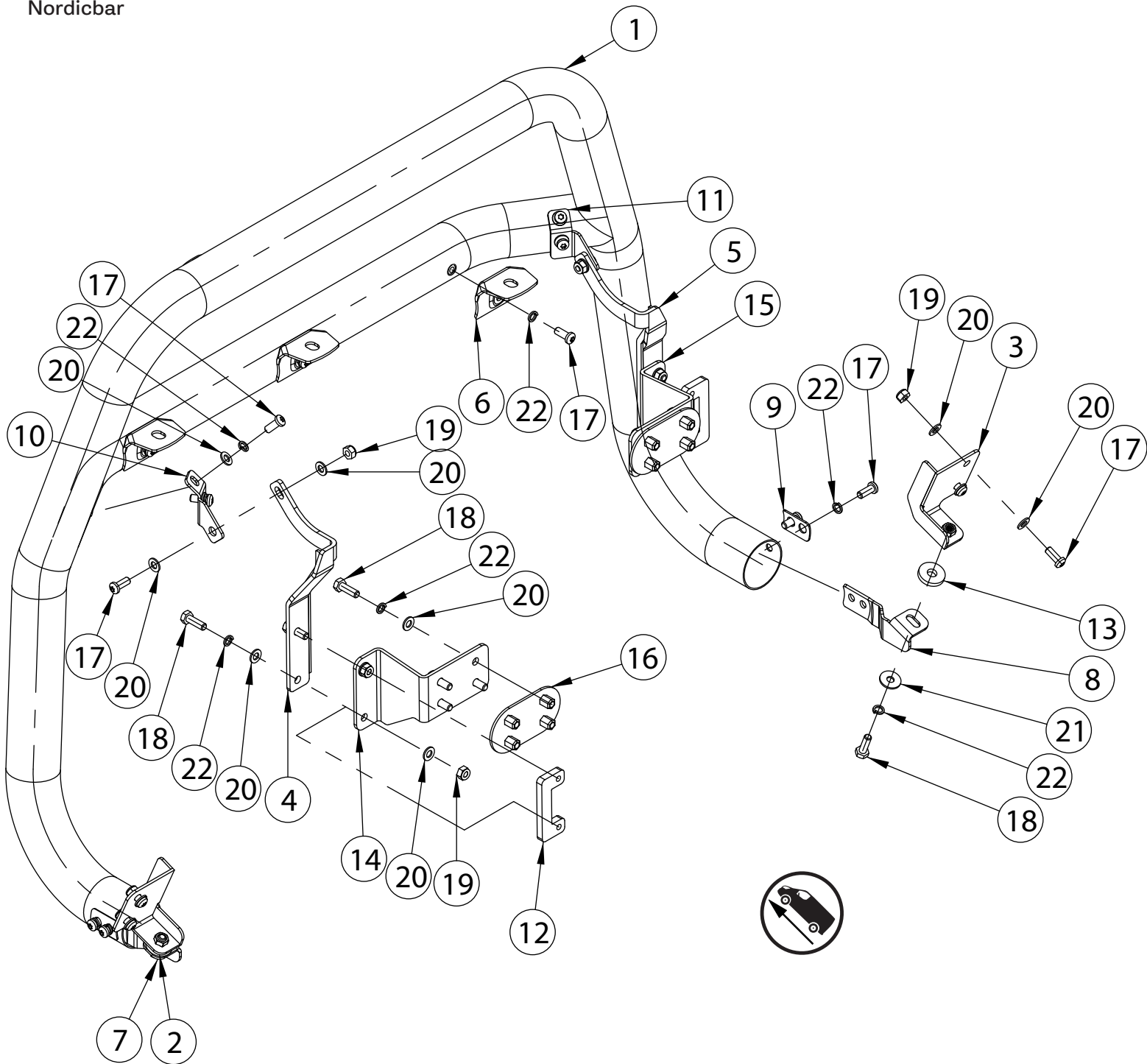


A2 / A4
M8 - 17 Nm

Peugeot Boxer/Citroen Jumper/Fiat Ducato/Opel Movano/Toyota Proace Max 24-

Art. 82632270, 82632271

Nordicbar



Pos	Description	QTY	Pos	Description	QTY
1.	Nordicbar	1	12.	Plate nut	2
2.	Bracket	1	13.	Disk	2
3.	Bracket	1	14.	Bracket	1
4.	Bracket	1	15.	Bracket	1
5.	Bracket	1	16.	Plate	2
6.	Lamp fixing bracket	3	17.	Bolt M8x20 DIN7380-A2	17
7.	Bracket	1	18.	Bolt M8x25 DIN933-A2	14
8.	Bracket	1	19.	Nut M8 DIN985-A2	10
9.	Square washer	2	20.	Flat Washer 8,4x16x1,6	32
10.	Bracket	1	21.	Flat Washer 8,4x24x2	2
11.	Bracket	1	22.	Spring washer A8	25

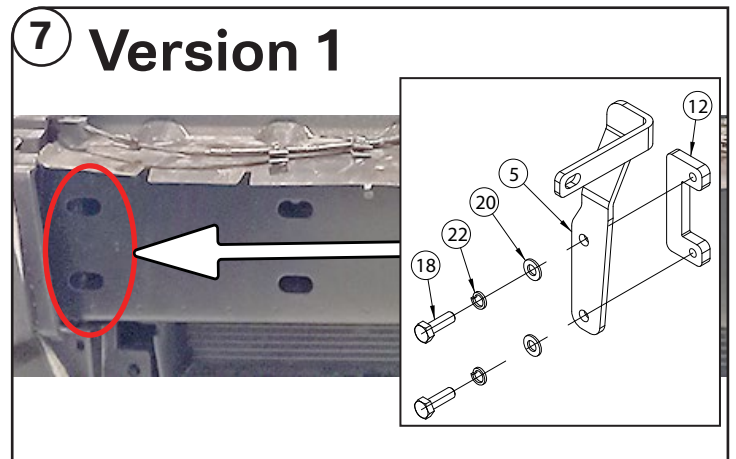
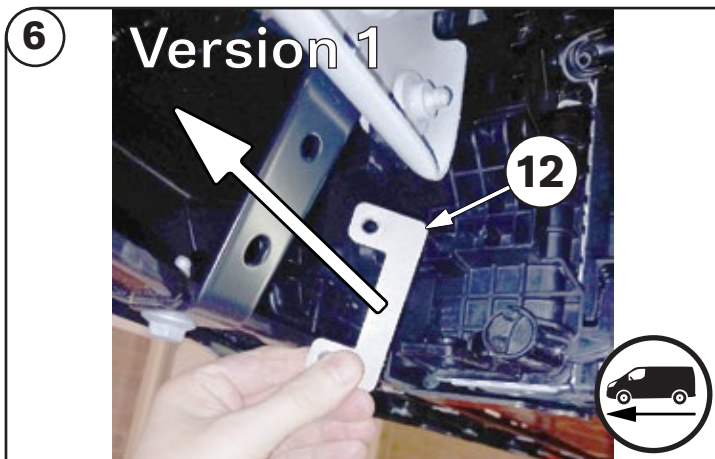
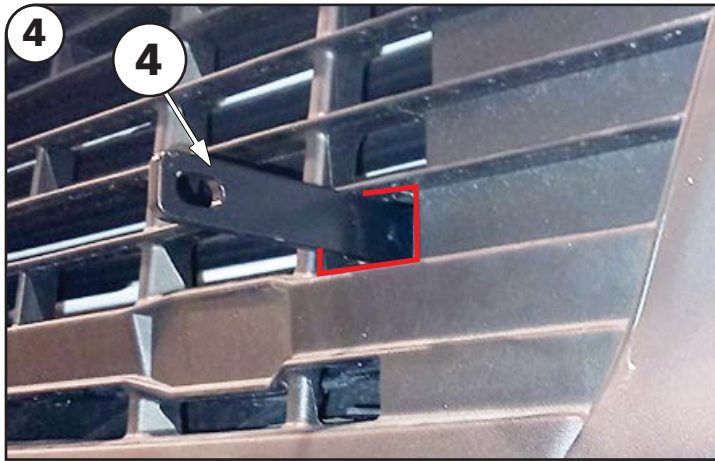
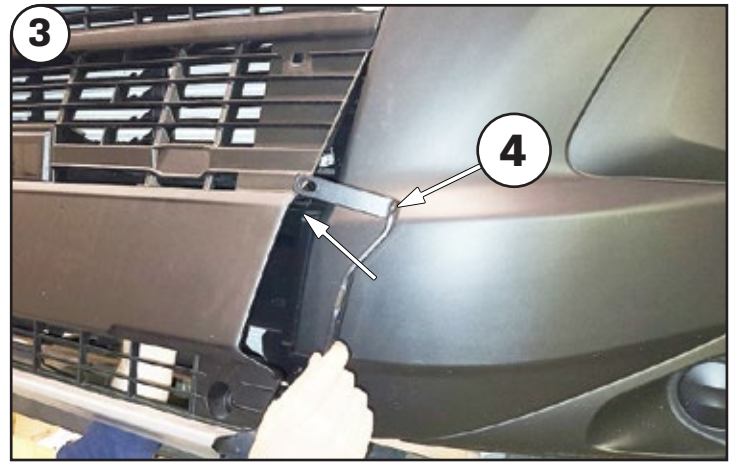
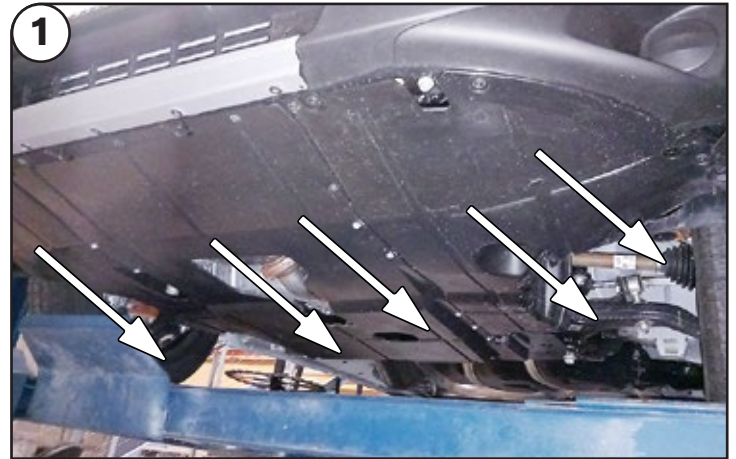
NB!

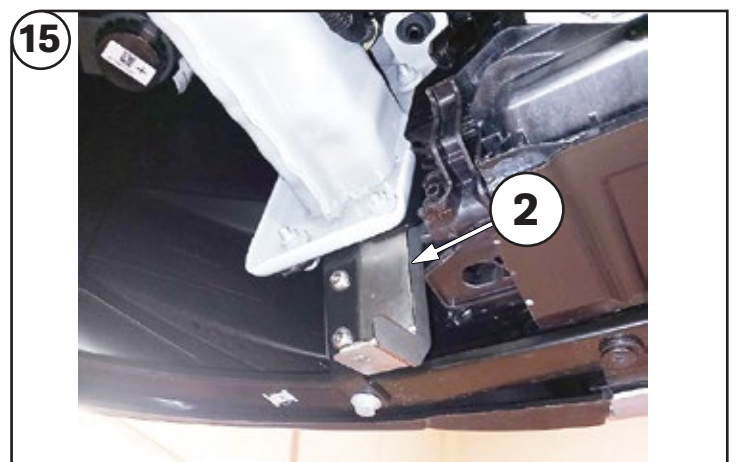
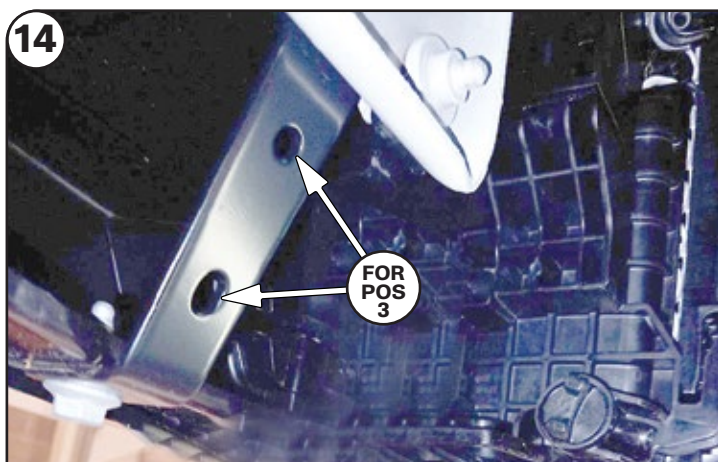
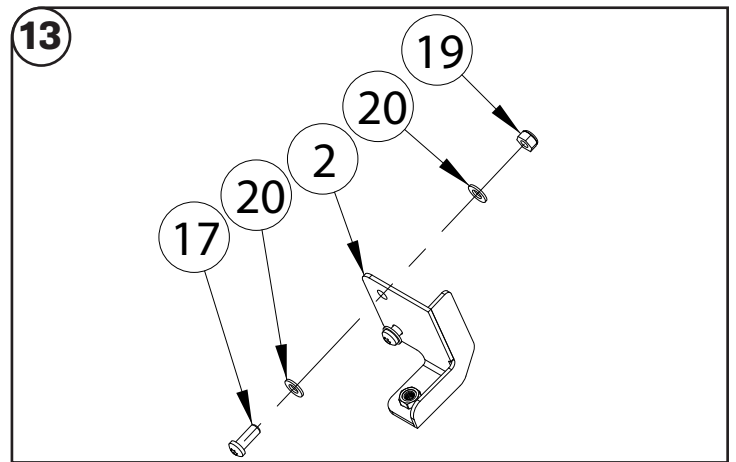
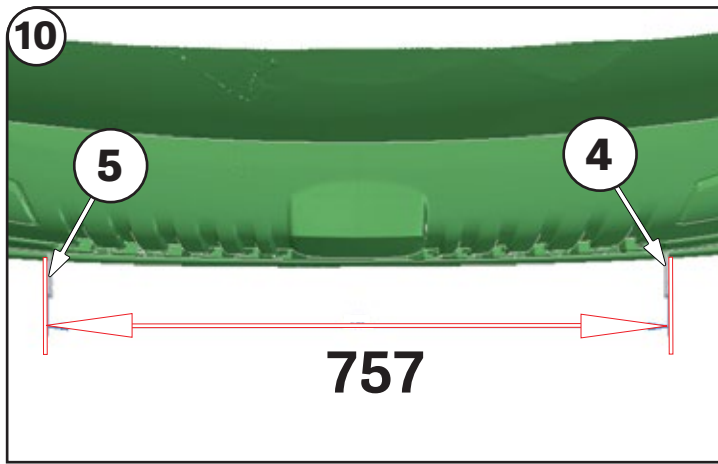
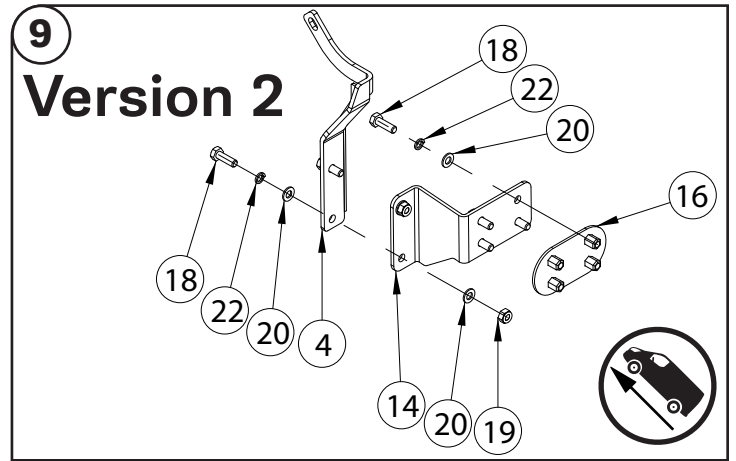
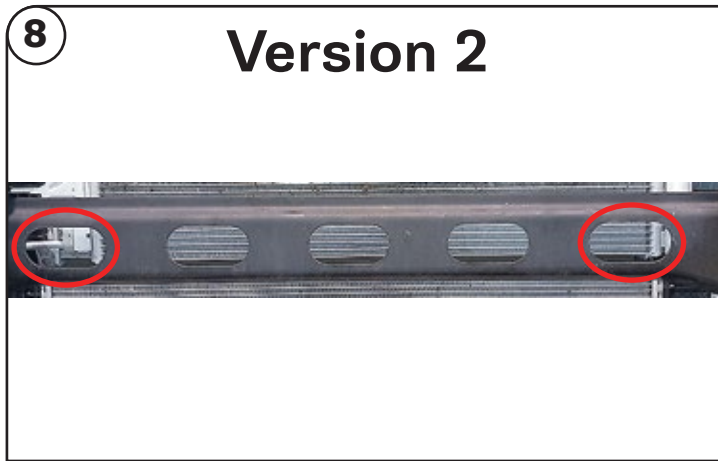


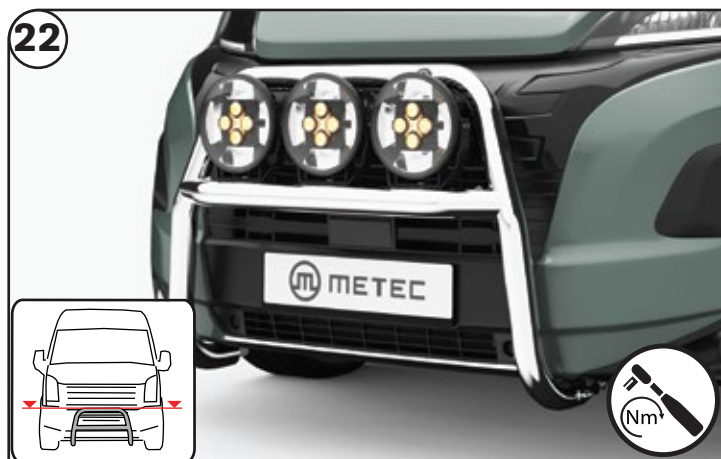
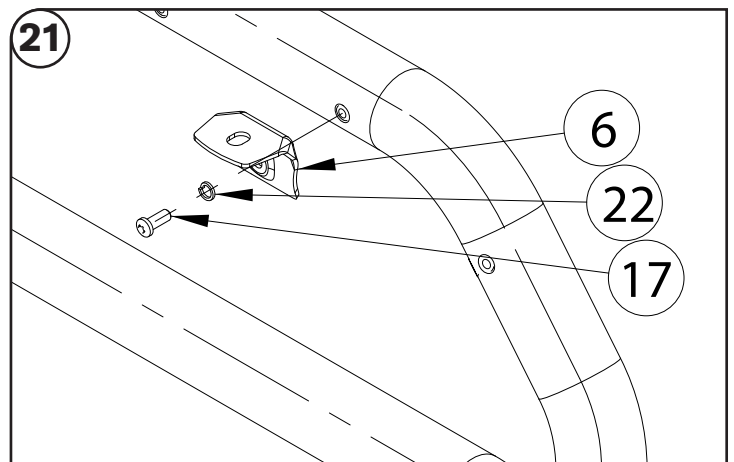
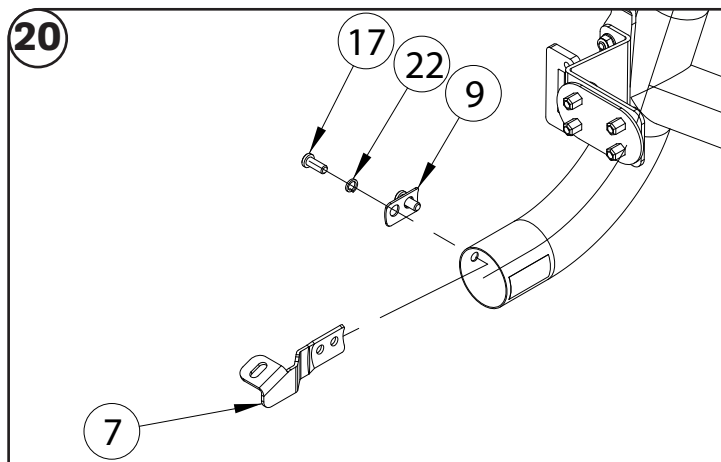
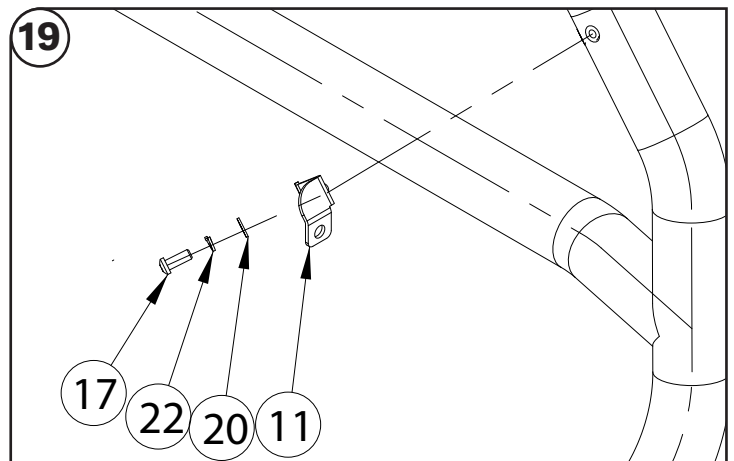
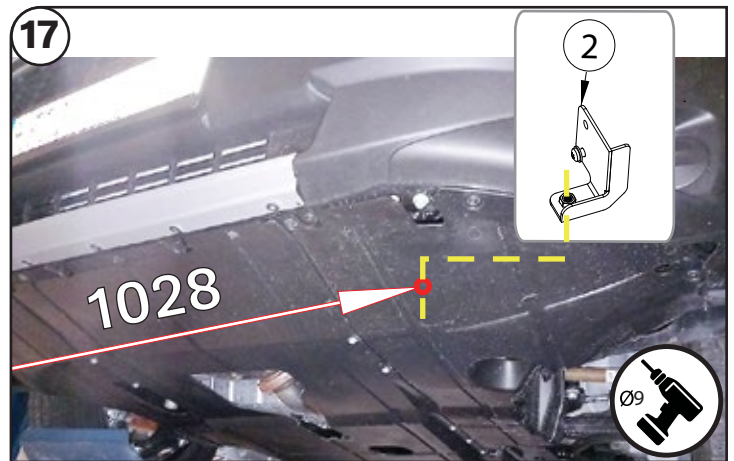
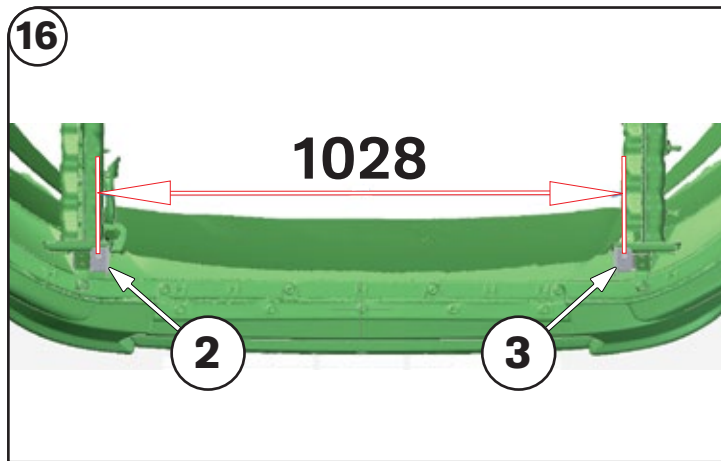
To prevent cold welding, use cold weld grease or engine oil



Installation of the lights must be carried out by a qualified electrician only







Check and retighten the fasteners after each 10 000km



Clean and wash the product twice a month to prevent corrosion

In case of any defects or damage to the METEC product upon delivery, contact the reseller or point of sale where you made your purchase for resolution