

VW T7 Transporter 24-/Ford Transit Custom 23- (rear double doors)

Mounting instructions
Art. 80747370, 80747371
Lamp holder for working lights

English



WWW.METEC.EE

Scan the QR code
for translated
instructions or visit
metec.ee/instructions



Weight: 8,6 kg
Time of mounting w/o wiring: 60 min

Required tools:

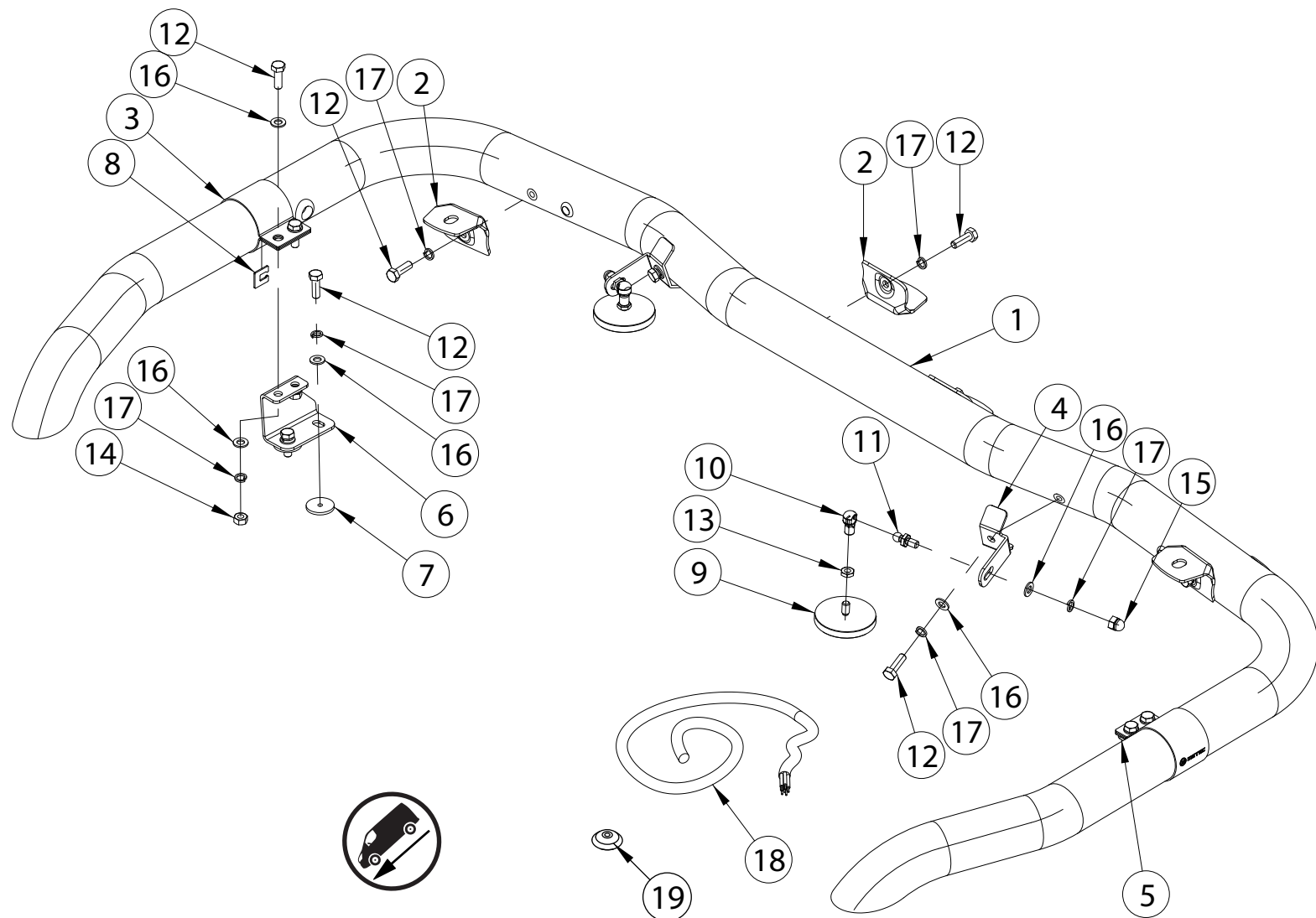


A2 / A4
M8 - 17 Nm

VW T7 Transporter 24-/Ford Transit Custom 23- (rear double doors)

Art. 80747370, 80747371

Lamp holder for working lights



Pos	Description	QTY	Pos	Description	QTY
1.	Tube	1	11.	Socket joint	2
2.	Lamp fixing bracket	4	12.	Bolt M8x25 DIN933-A2	14
3.	Clamp	2	13.	Nut M8 DIN439-A2	2
4.	Bracket	2	14.	Nut M8 DIN934-A2	4
5.	Bracket	1	15.	Nut M8 DIN1587-A4	2
6.	Bracket	1	16.	Flat Washer 8,4x16x1,6	16
7.	Rubber washer d=30/5	4	17.	Spring washer A8	16
8.	Brace-it installation tool	2	18.	Wiring harness	1
9.	Magnetic fastening d=66	2	19.	Cable grommet for roof	1
10.	Ball joint	2			

VW T7 Transporter 24-/Ford Transit Custom 23- (rear double doors)

Art. 80747370, 80747371

Lamp holder for working lights

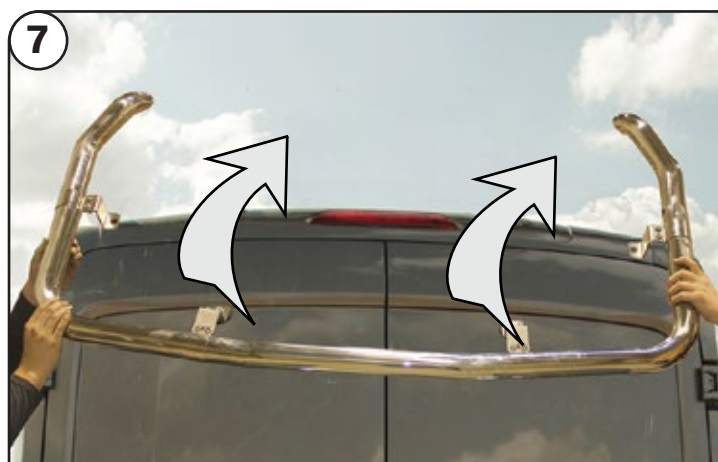
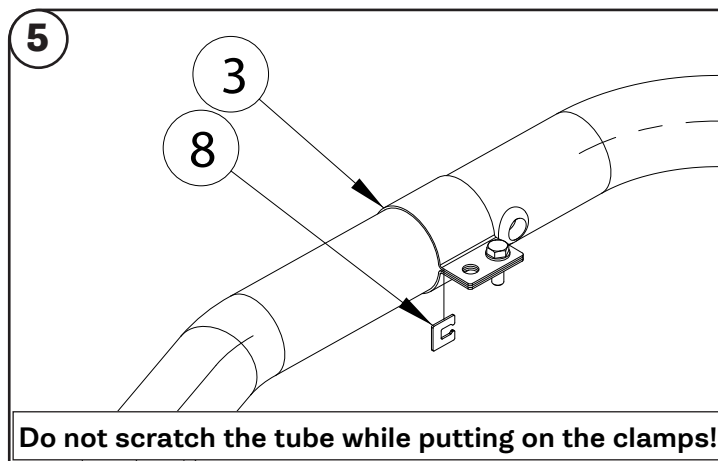
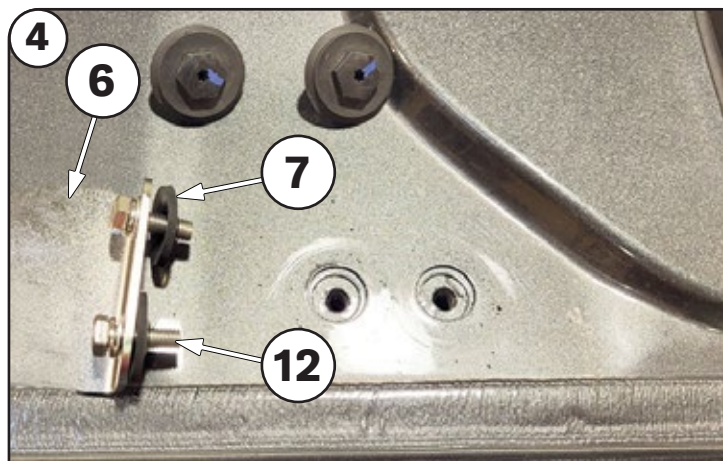
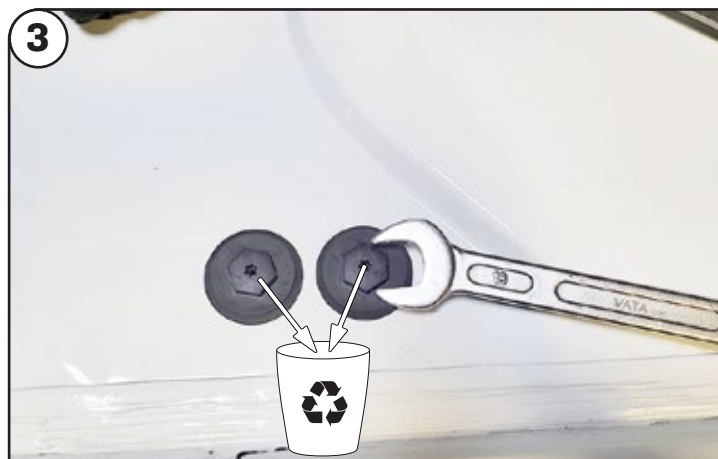
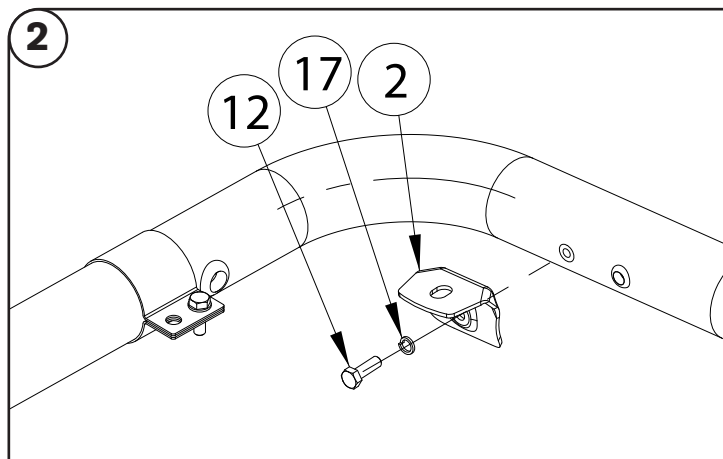
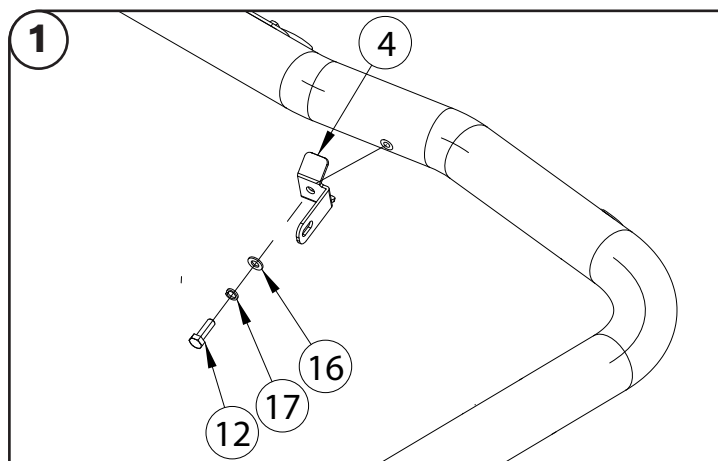
NB!



To prevent cold welding, use cold weld grease or engine oil



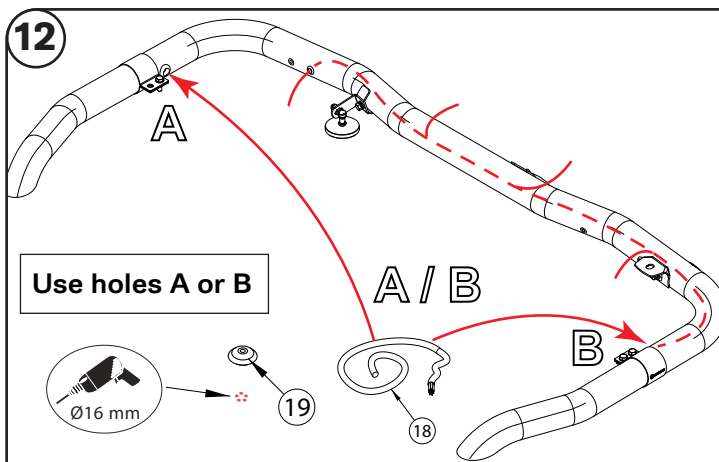
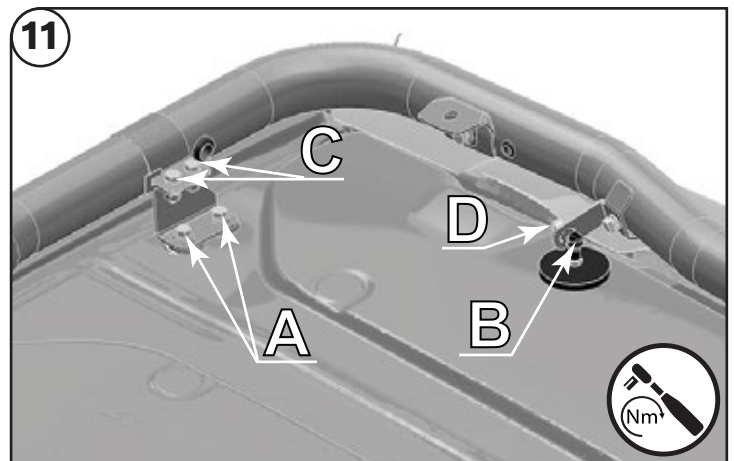
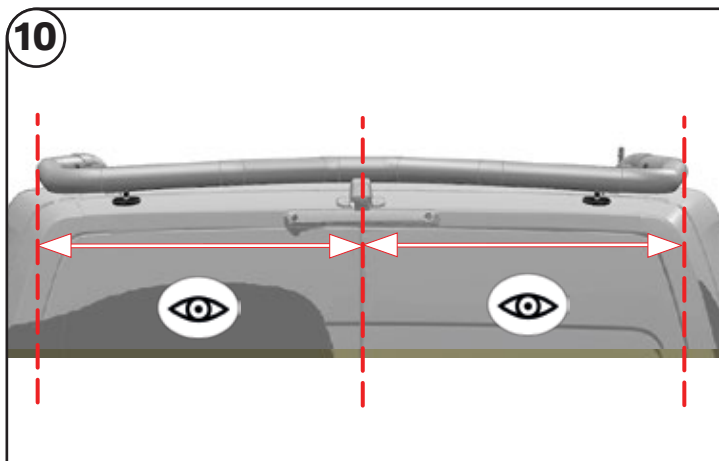
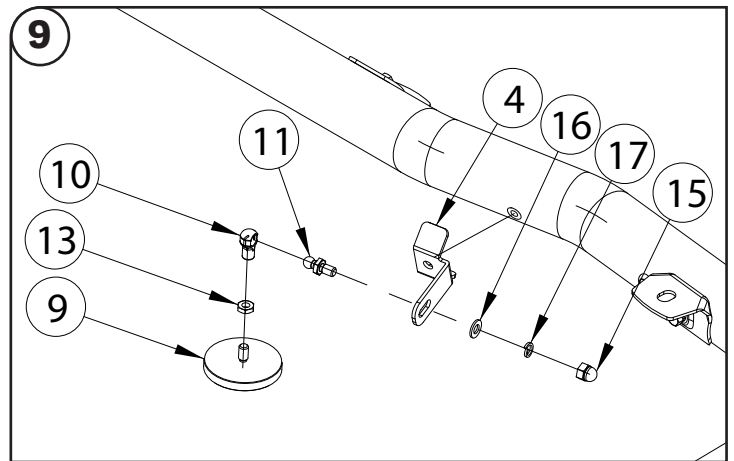
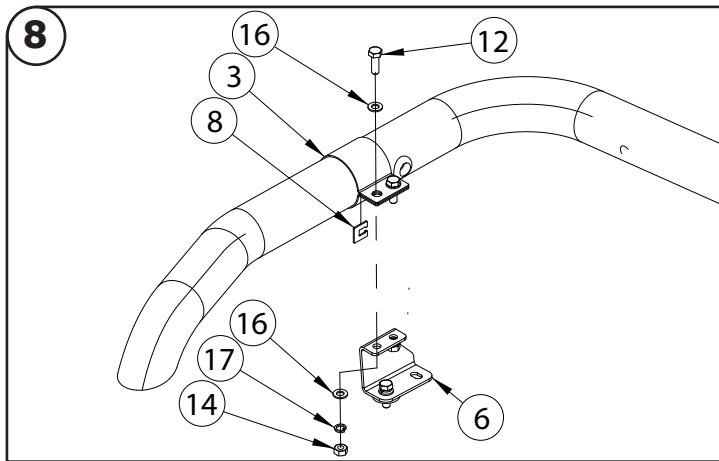
Installation of the lights must be carried out by a qualified electrician only





VW T7 Transporter 24-/Ford Transit Custom 23- (rear double doors)

Art. 80747370, 80747371

Lamp holder for working lights



 Check and retighten the fasteners:
Road vehicles: every 10 000km
Heavy machinery: every 500 work hours

 Clean the product twice a month to remove dirt, salt, and debris that may cause surface discoloration or rust spots

In case of any defects or damage to the METEC product upon delivery, contact the reseller or point of sale where you made your purchase for resolution