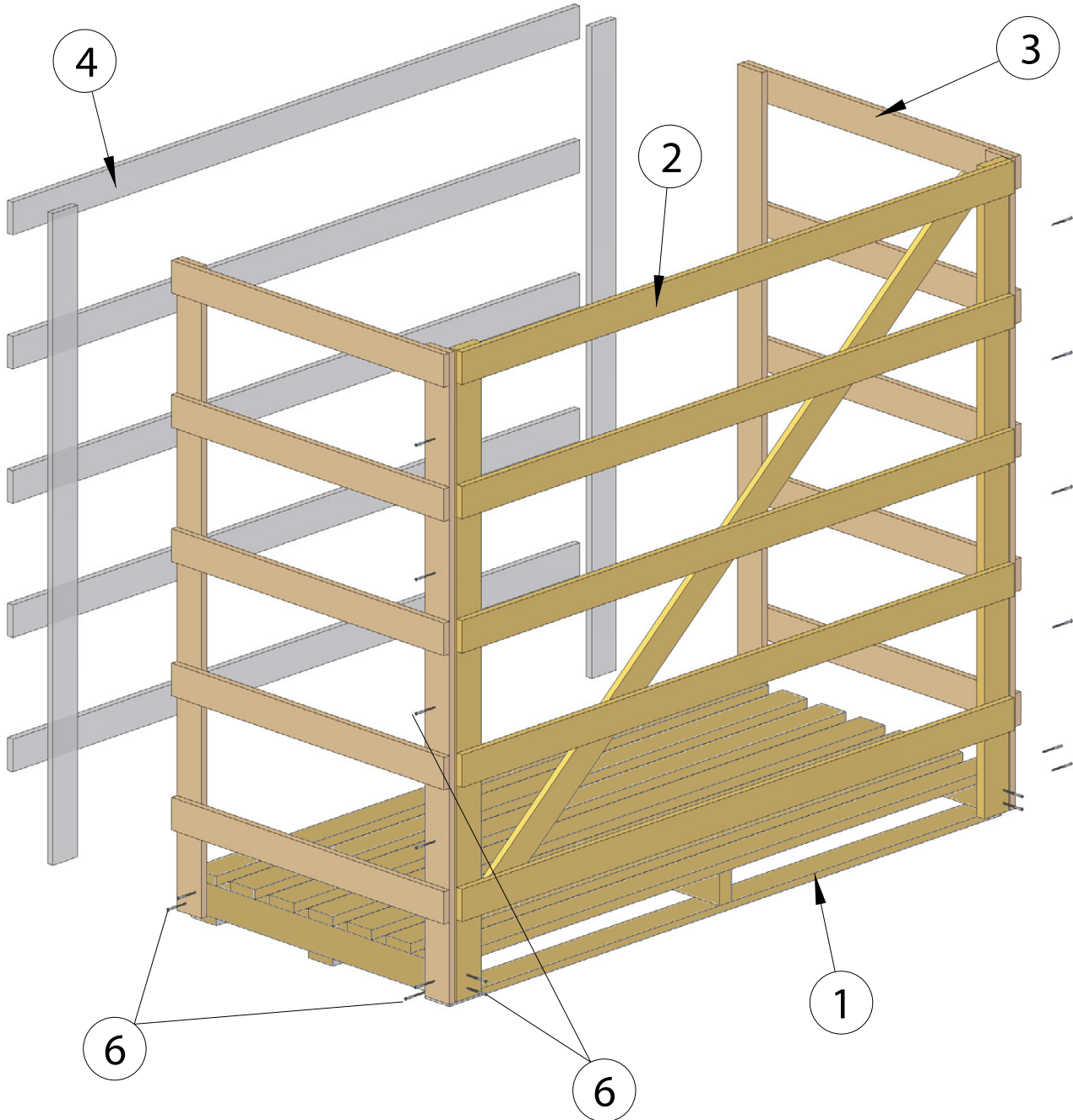


# Kaubaalused / pallet cradles 0,8 / 1,2 / 1,6 LDM

1. Alus / Pallet	1	(tagastatav-arveldatav, collectable-payable)
2. Tagakülg / rear panel	1	(tagastatav-arveldatav, collectable-payable)
3. Küljepaneel / side panel	2	(tagastatav-arveldatav, collectable-payable)
4. Esikülje lauakomplekt / set of lumber of the front side	1	(tagastatav, collectable)
5. Puidukruvi / wood screw 4,5 x 50mm	20	(ei ole tagastatav, not collectable)
6. Puidukruvi / wood screw 5,0 x 80mm	32	(ei ole tagastatav, not collectable)



## Vajalikud tööriistad / Required Tools



T20



**1. Alus / Pallet art.**

0,8ldm - 113763

1,2ldm - 116313

1,6ldm - 116314

**2. Tagakülg / rear panel art.**

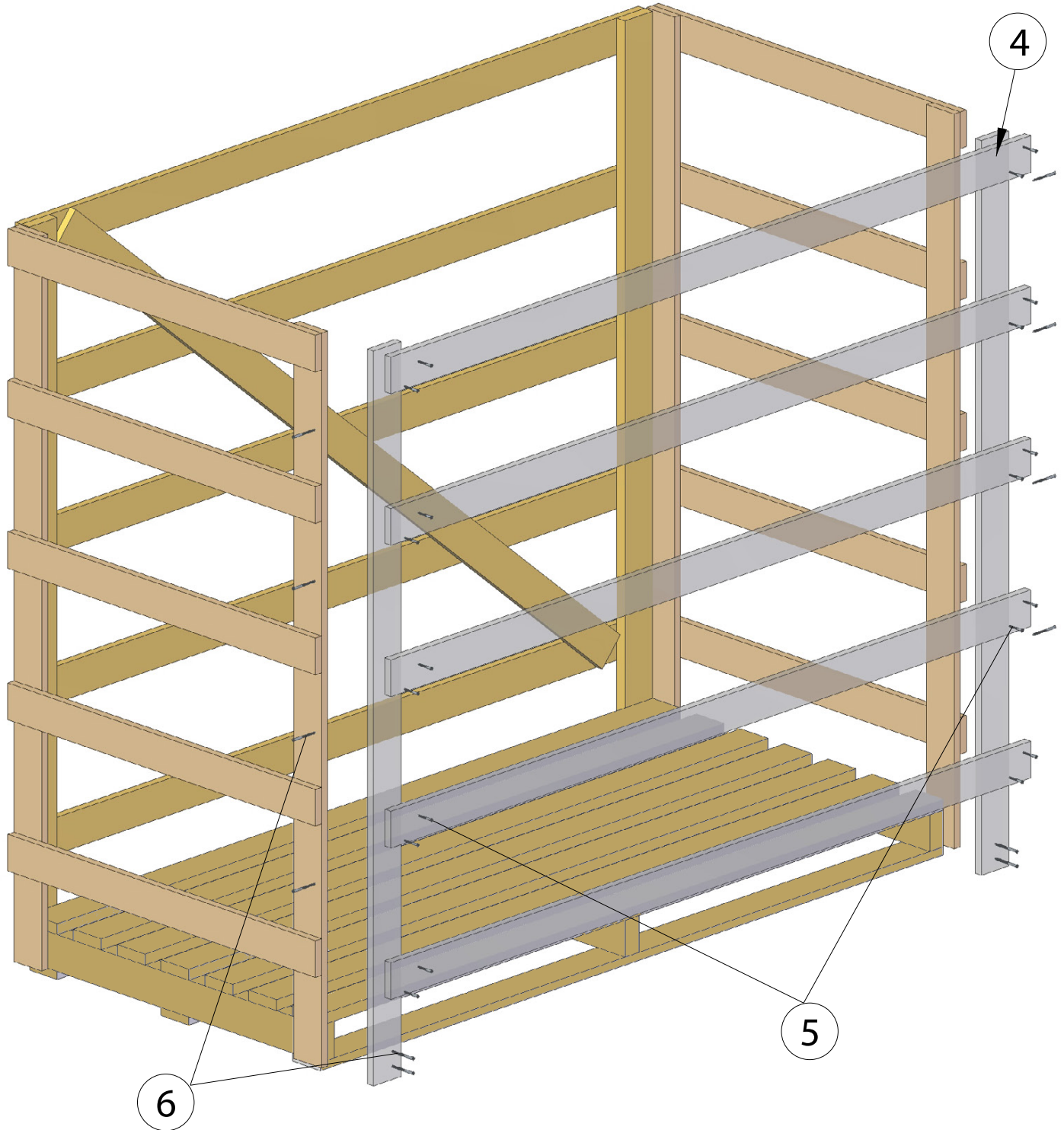
116315

**3. Küljepaneel / side panel art.**

0,8ldm - 116316

1,2ldm - 116317

1,6ldm - 116318



**Vajalikud tööriistad / Required Tools**



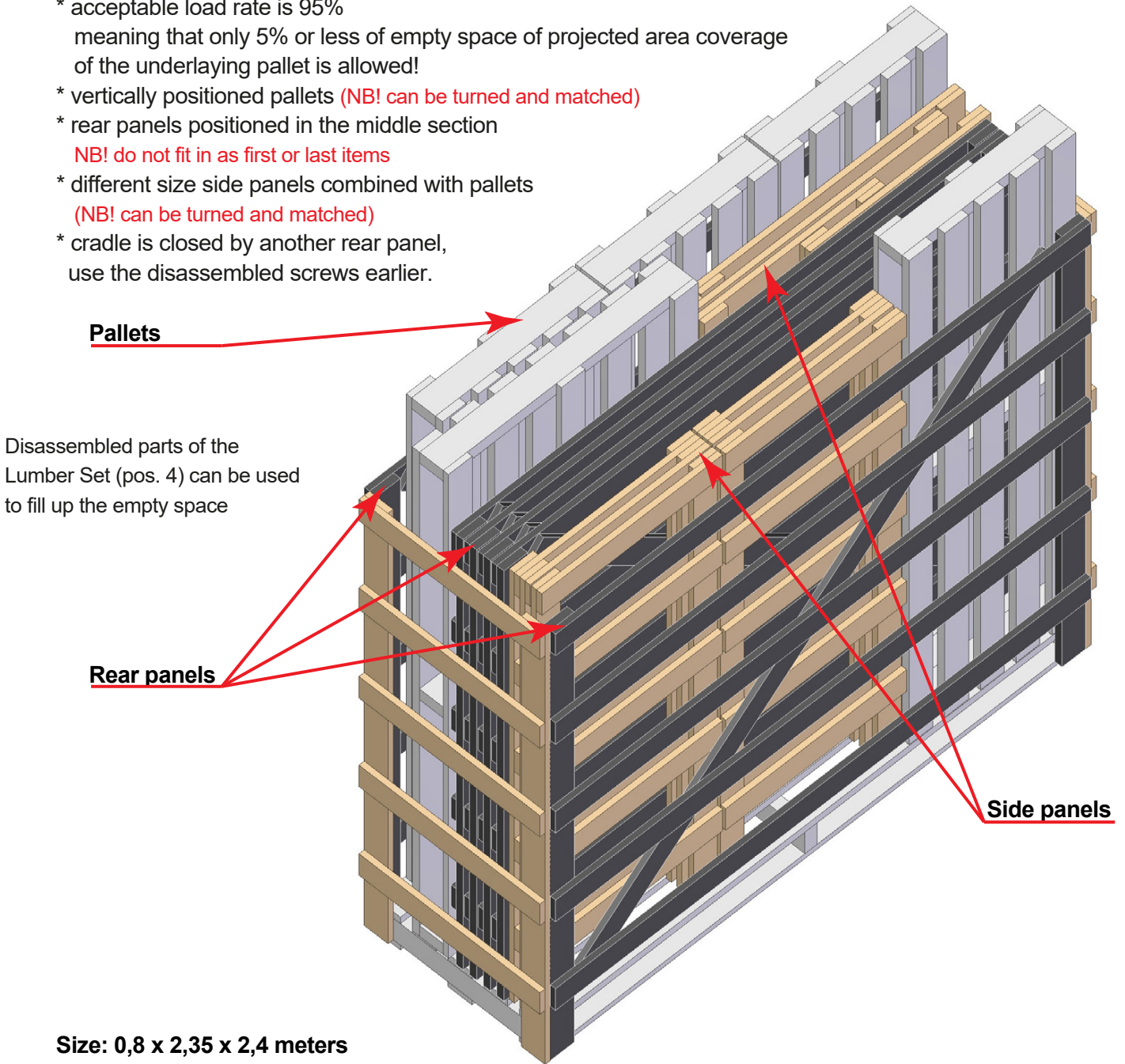
T20



## Kastide komplekteerimise juhis demonteeritud tühja taara tagastamisel Assembly instruction for return of disassembled empty cradles.

Sample of 0,8 LDM cradle:

- \* use an empty cradle with 3 sides - rear panel + 2 side panels.
- \* preferable is to load always full sets (pallet + 3 sides) out of all 3 different sizes (0,8 ldm, 1,2 ldm and 1,6 ldm)
- \* image below shows only one possible configuration loaded, altogether its **6 sets**:
  - \* 2 sets of 1,2 ldm + 4 sets of 0,8 ldm cradles
- \* acceptable load rate is 95%  
 meaning that only 5% or less of empty space of projected area coverage  
 of the underlying pallet is allowed!
- \* vertically positioned pallets (NB! can be turned and matched)
- \* rear panels positioned in the middle section  
 NB! do not fit in as first or last items
- \* different size side panels combined with pallets  
 (NB! can be turned and matched)
- \* cradle is closed by another rear panel,  
 use the disassembled screws earlier.



### Vajalikud tööriistad / Required Tools



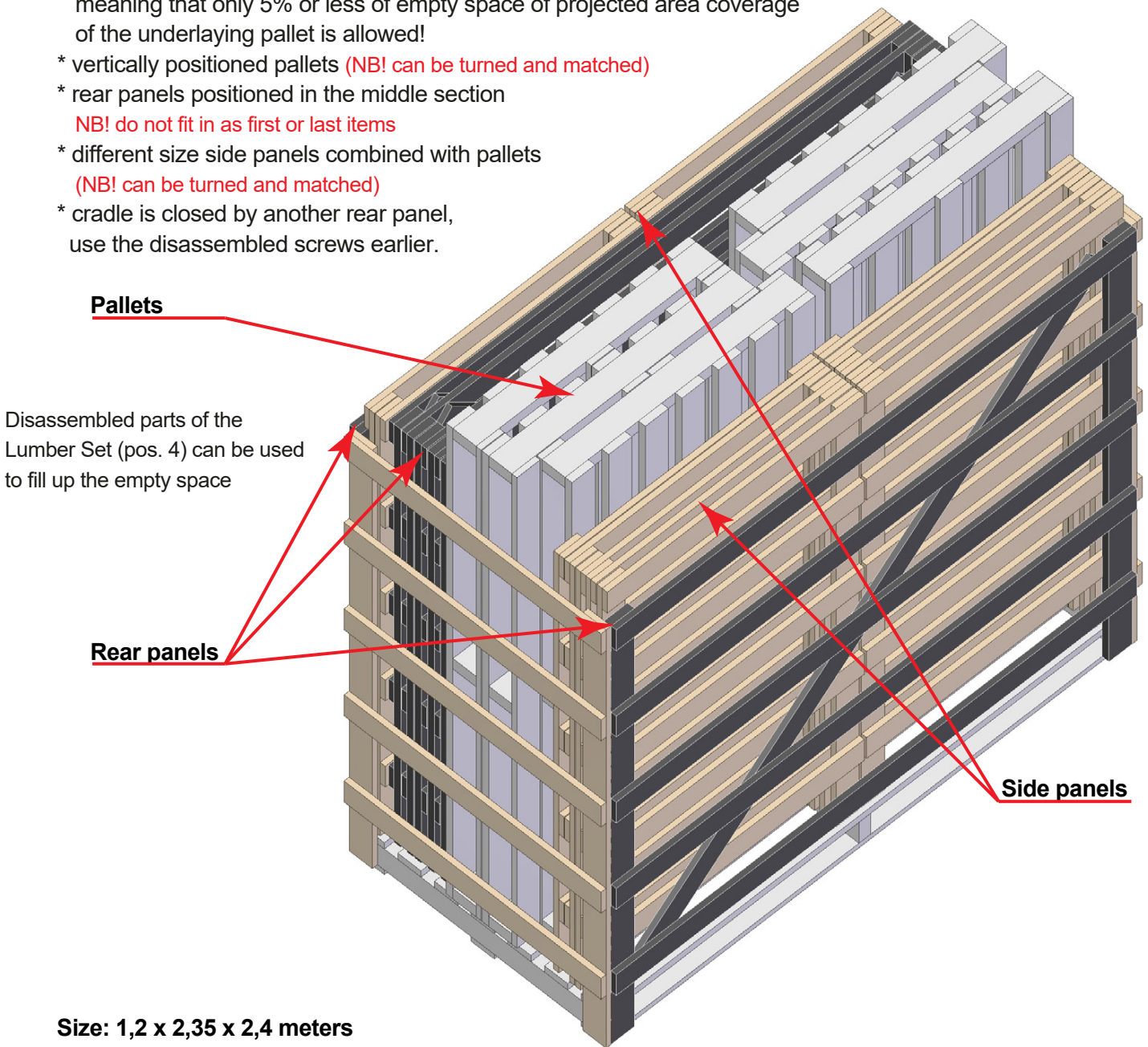
T20



## Kastide komplekteerimise juhis demonteeritud tühja taara tagastamisel Assembly instruction for return of disassembled empty cradles.

Sample of 1,2 LDM cradle:

- \* use an empty cradle with 3 sides - rear panel + 2 side panels.
- \* preferable is to load always full sets (pallet + 3 sides) out of all 3 different sizes (0,8 ldm, 1,2 ldm and 1,6 ldm)
- \* image below shows only one possible configuration loaded, altogether its **7 sets**:
  - \* 7 sets of 1,2 ldm cradles
- \* acceptable load rate is 95%  
meaning that only 5% or less of empty space of projected area coverage of the underlying pallet is allowed!
- \* vertically positioned pallets (NB! can be turned and matched)
- \* rear panels positioned in the middle section  
NB! do not fit in as first or last items
- \* different size side panels combined with pallets  
(NB! can be turned and matched)
- \* cradle is closed by another rear panel,  
use the disassembled screws earlier.



**Size: 1,2 x 2,35 x 2,4 meters**  
**1,2 loading meters on lorry**

### Vajalikud tööriistad / Required Tools



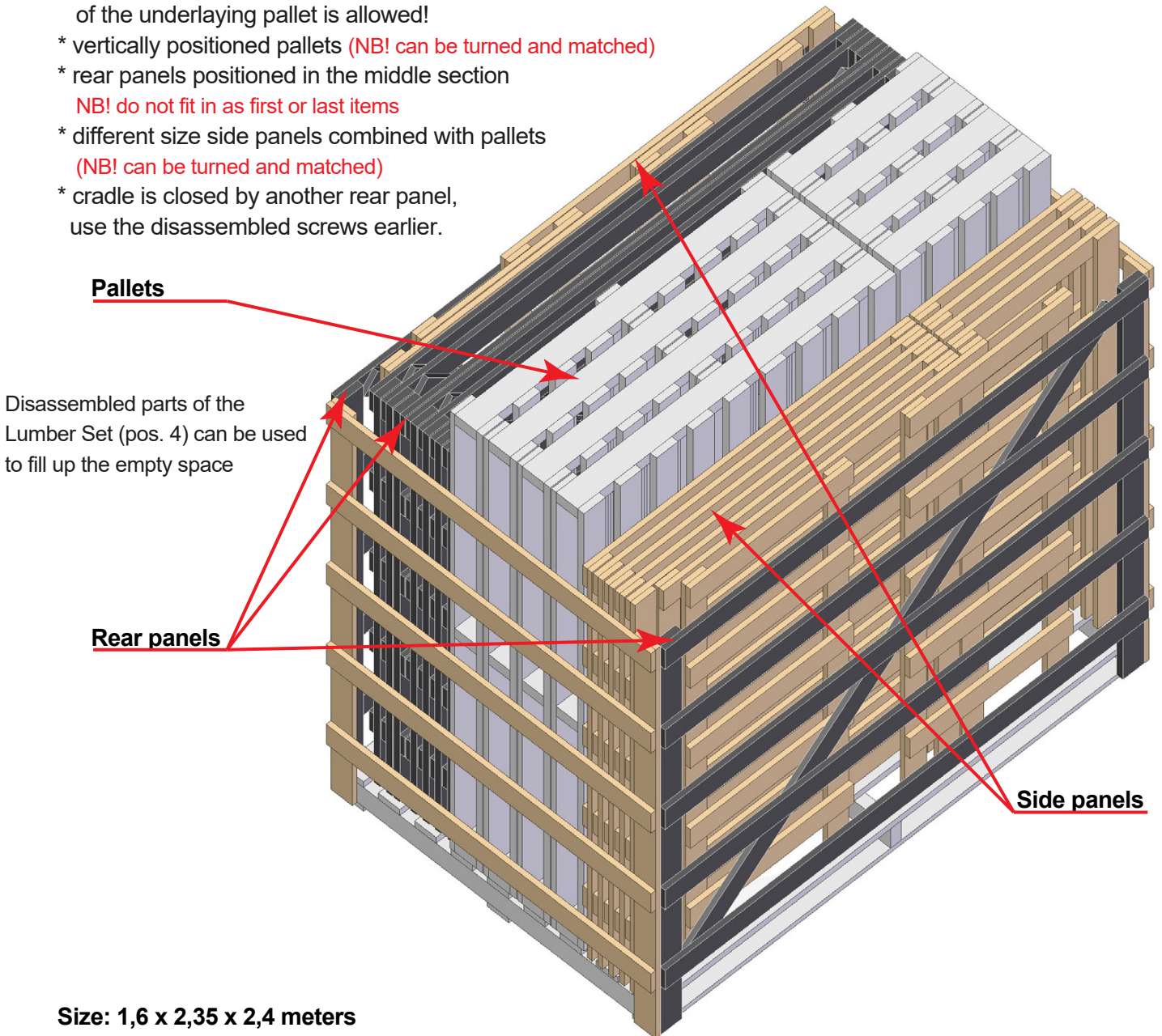
T20



## Kastide komplekteerimise juhis demonteeritud tühja taara tagastamisel Assembly instruction for return of disassembled empty cradles.

Sample of 1,6 LDM cradle:

- \* use an empty cradle with 3 sides - rear panel + 2 side panels.
- \* preferable is to load always full sets (pallet + 3 sides) out of all 3 different sizes (0,8 ldm, 1,2 ldm and 1,6 ldm)
- \* image below shows only one possible configuration loaded, altogether its **9 sets**:
  - \* 5 sets of 1,6 ldm cradles + 4 sets of 0,8 ldm cradles
- \* acceptable load rate is 95%  
 meaning that only 5% or less of empty space of projected area coverage  
 of the underlaying pallet is allowed!
- \* vertically positioned pallets (NB! can be turned and matched)
- \* rear panels positioned in the middle section  
 NB! do not fit in as first or last items
- \* different size side panels combined with pallets  
 (NB! can be turned and matched)
- \* cradle is closed by another rear panel,  
 use the disassembled screws earlier.



**Size: 1,6 x 2,35 x 2,4 meters**  
**1,6 loading meters on lorry**



### Vajalikud tööriistad / Required Tools

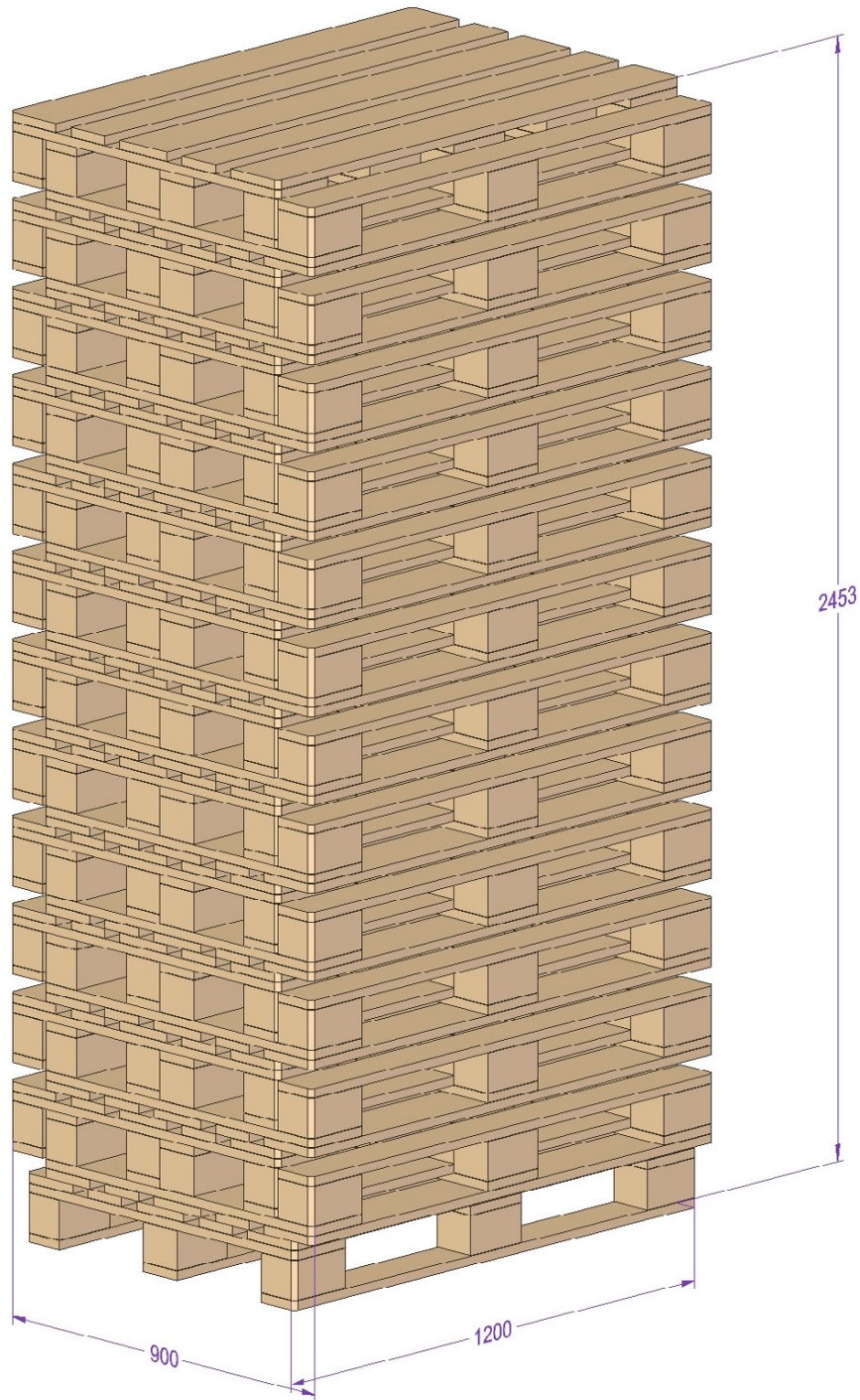


⊕  
 T20



**EUR pallet instructions for return of empties.**

- \* turned and matched EUR pallets in tower of 25 units
- \* fixed by cargo stripes



**Vajalikud tööriistad / Required Tools**





**METEC**

www.metec.ee

TS210622

Puttaara montaaži-, demontaaži- ja käitemise juhend | Assembly, disassembly and return instruction of wooden cradles & pallets

### EUR pallet instructions for return of empties.

\* up to 28 towers on the lorry



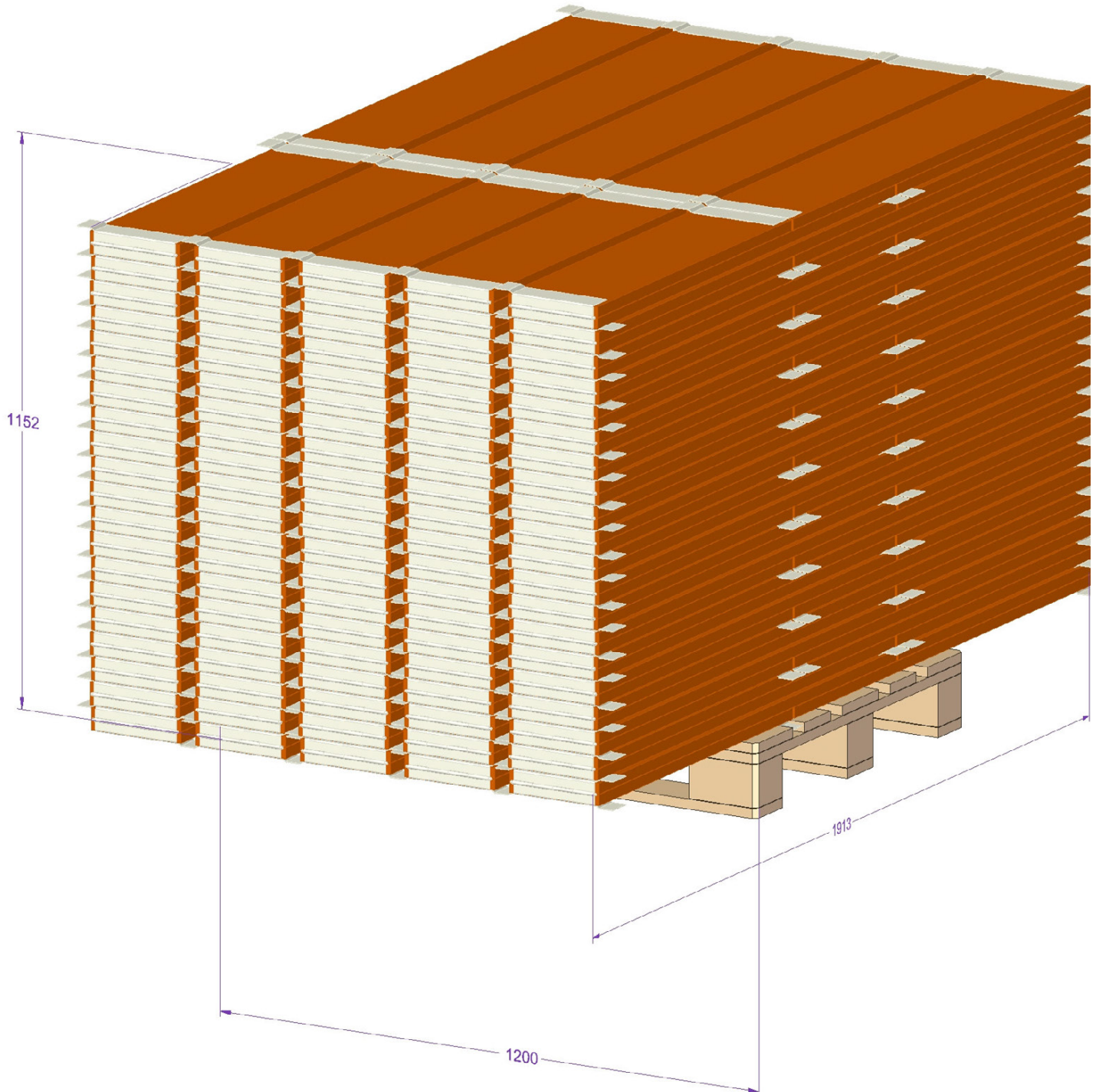
Vajalikud tööriistad / Required Tools





**EUR collar instructions for return of empties.**

- \* turned and matched EUR collars in tower of 5 rows
- \* 20 units in each row
- \* fixed by cargo stripes



**Vajalikud tööriistad / Required Tools**







**EUR collar instructions for return of empties.**

\* up to 24 towers on the lorry



Vajalikud tööriistad / Required Tools

